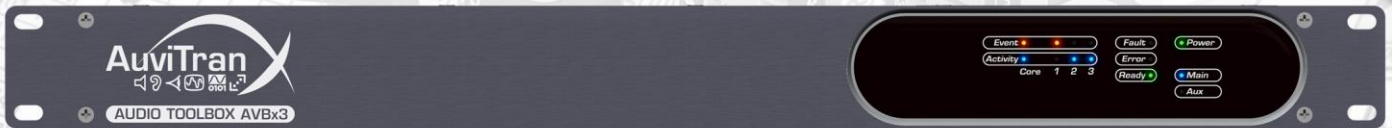




AuviTran Audio ToolBox AVBx3-ES100

Instruction Manual

3 Slots Rack-unit with ES100 Card



for AxC Cards Family





WARNING

Always follow the basic precautions listed below to avoid the possibility of serious injury or even death from electrical shock, short-circuiting, damages, fire or other hazards. These precautions include, but are not limited to, the following:

PRECAUTIONS

- Do not apply excessive pressure on connectors or any other part of the board. Do not touch the metallic sharp parts (pins) of the product.
- This product is electrostatic sensitive; make sure you check this before touching or using it.
- The disconnect devices of the Audio ToolBox unit are the appliance inlet of the auxiliary power supply and the appliance inlet on the rear side of the unit. These must be easily reachable.
- To prevent electric shock, unplug the unit before handling. The achievement of other operations not mentioned in this document is prohibited. Repairs can be performed only by a technician trained and qualified.
- Each connection must be Safety Extra Low Voltage kind (SELV), and must stay inside buildings.

LIMITATION OF LIABILITY

In no case and in no way, the provider of this Product (Auvitrans, the distributor or reseller, or any other party acting as provider) shall be liable and sued to court for damage, either direct or indirect, caused by and to the user of the board and which would result from an improper installation or misuse of the Product. "Misuse" and "improper installation" mean installation and use not corresponding to the instructions of this manual.

Please note that graphics given in this manual (drawings and schemes) are only examples and shall not be taken for a real vision of your own equipment configuration.

Auvitrans is constantly working on the improvement of the products. For that purpose, the products functionalities are bound to change and be upgraded without notice. Please read carefully the User's manual as the new functionalities will be described therein.

TRADEMARKS

All trademarks listed in this manual are the exclusive property of their respective owners. They are respected "as is" by Auvitrans. Any use of these trademarks must receive prior approval of their respective owners. For any question, please contact the trademark's owner directly.

COPYRIGHT

The information in this manual is protected by copyright. Therefore, reproduction, distribution of whole or part of this manual is strictly forbidden without the prior written agreement of Auvitrans.

AUVITRAN WEBSITE / MORE INFORMATION

Please visit our website for any question of further inquiry concerning our product range. Updates will also be posted when available.

<http://www.auvitran.com>

PACKAGE CONTAINS

- 1 AVBx3 Rack Unit equipped with one AxC-ES100 card
- 1 Power Cord

TABLE OF CONTENTS

PRECAUTIONS 2

LIMITATION OF LIABILITY 3

TRADEMARKS 3

COPYRIGHT 3

AUVITRAN WEBSITE / MORE INFORMATION 3

PACKAGE CONTAINS 3

1 WELCOME! 5

2 OVERVIEW 5

3 TECHNICAL SPECIFICATIONS 6

4 CARD INSERTION..... 7

5 CARD EXTRACTION..... 8

1 WELCOME!

Thank you for purchasing AuviTran's Audio Toolbox AVBx3 Rack Unit. We hope you will enjoy using it.

You will find herewith the necessary instructions to use your product. Please read them carefully as misuse of this device might cause serious damage to you and your environment.

2 OVERVIEW

AuviTran Audio ToolBox is a modular audio platform giving access to a large variety of professional audio networked configurations.

With a three slots 1U-19inch rack unit and several audio interface cards, you can build the configuration you need:

- EtherSound interface and ASIO interface
- MADI interface
- High quality analog input or output XLR connectors
- Analog inputs/outputs Euroblock connectors
- High quality mic preamp inputs
- AES/EBU inputs/outputs
- GPI/GPO interface

AuviTran Audio ToolBox is available in installation mode (Display in front and all connectors in the back) and can be configured as stage-box for live applications (Display, Network and Audio connectors in front, Power supply and GPIO on the back).

To know more about stage-box configuration, please refer to [AVBx3 Stagebox Kit Installation Manual](#).

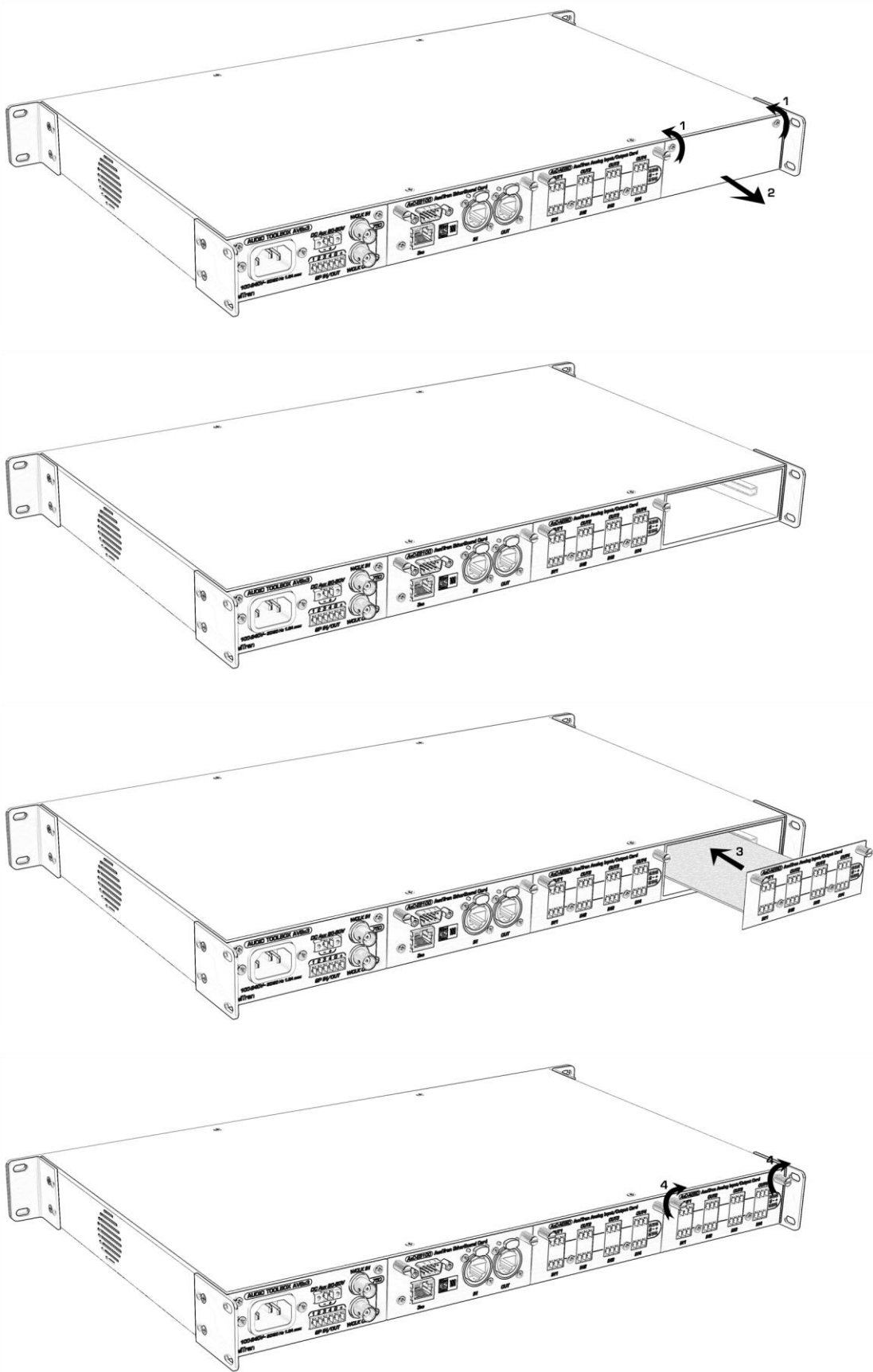
3 KEY FEATURES

- AuviTran Audio ToolBox platform 19" rack (1U) chassis, providing up to three slots for AuviTran AxC interface cards, with an audio backplane connecting all inputs / outputs (physical and network)
- Vast choice of audio interface cards
- 4 smart configurable GPIO for powerful interactions with security application. They can also be set individually as ADC Input for local/remote fader or level control.
- AVBx3-ES100 is the Audio ToolBox platform equipped with one AxC-ES100 EtherSound card:
 - Two EtherCon connectors allowing 64 channels extraction and 64 channels insertion to ES100 network
 - ASIO through the third port (up to 64 channel in and 64 channel out)
- Remote management with ESMonitor software through the EtherSound Network.
- Dedicated control page for monitoring and controlling all the chassis and inserted cards parameters.

4 TECHNICAL SPECIFICATIONS

AVBx3: 3 slots AuviTran Audio ToolBox 1Ux19" rack	
Size	483 x 253x 44 mm (19' rack, 1 U height) One slot used by the EtherSound card and two slots available for audio inputs/outputs
Main Power Supply	100-240 VAC – Maximum 50 W
Auxiliary Power Supply	Available in option
Storage: Temp/Humidity	-5°C to 70°C / 0% to 95% (non-condensing)
Operating: Temp/Humidity	0 °C to 50°C / 5% to 90% (non-condensing)
Front panel	Power Main/ Aux – Fault / Error / Ready – Networks and links Rx and Tx Activities - Events
Rear panel	1xIEC power inlet for main AC power supply / 3 slots with backplane bus for interface cards / 2x BNC for Word clock / 1x6 pole Euroblock connector for GPIO
GPIO	4 configurable GPIO. Can be set as 4xADC 8 bits 0-12V level input for fader control or level trigger detections
AxC-ES100: EtherSound card for the AuviTran Audio ToolBox platform	
Size	200 mm x 100 mm x 40 mm – Format AuviTran Audio ToolBox platform cards
Power Supply	+12V / +3.3V - Through AuviTran Audio ToolBox backplane
Storage: Temp/Humidity	- 5°C to 70°C / 0% to 95% (non-condensing)
Operating: Temp/Humidity	0 °C to 50°C / 5% to 90% (non-condensing)
Connectors	2 x Neutrik EtherCon RJ45-XLR female connectors (EtherSound ES100 from/to links) 1 x RJ45 connector for third port (PC control and ASIO Streamer interface) 1 x Sub-D9 (RS232) serial interface
Audio Outputs	64 channels extracted from any of the 64 EtherSound downstream channels or from any of the 64 EtherSound upstream channels in bidirectional mode @ 44.1 kHz or 48kHz
Audio inputs	64 channels inserted from any of the 64 EtherSound downstream channels or from any of the 64 EtherSound upstream channels in bidirectional mode @ 44.1 kHz or 48kHz
Sample format	24 bit
Sample rate	44.1 kHz, 48kHz, 88,2 kHz, and 96 kHz
Synchronization	Automatic from EtherSound network
ASIO	
I/O count	Up to 64 ASIO inputs and 64 ASIO outputs from/to EtherSound
Sample format	24 bit
Sample rate	44.1 kHz, 48kHz, 88,2 kHz, and 96 kHz
Host PC minimum specifications	
Operating system	Windows Seven/Vista/XP for 32 or 64 bit versions (XP not recommended for ASIO due to its poor NDIS priority management)
Processor	Dual core CPU, clock speed > 2GHz
Memory	At least 2 GB for Windows Vista and Seven
Network	100Mbps full duplex Ethernet adapter with latest NDIS driver (Performances of the ASIO driver are directly related to NIC driver)
Storage	7200rpm disk or better for ASIO
Control and monitoring Environment	
AVS-ESMonitor	AVS-ESMonitor enables to remotely set, control and monitor an EtherSound network and provides enhanced control pages to manage the specific parameters of cards inserted in the different slots

5 CARD INSERTION



6 CARD EXTRACTION

